

Dear Parents, please discuss the information on these pages with your children and make sure that they have understood the concept. The grey Workbook pages should be completed by the children as independently as possible and will be checked by their teacher. Please read any instructions carefully to know how to answer specific questions.

# Reading Picture Graphs

Lesson  
1

**LO: To be able to read and interpret a picture graph with a scale of 1:1.**

Please check this [video](https://www.youtube.com/watch?v=mDUycQEd1bs) to better understand how to work with picture graphs. <https://www.youtube.com/watch?v=mDUycQEd1bs>

## In Focus

Another name for picture graphs is pictogram.



Which is easier to count? Why?

## Let's Learn

- 1 This is a picture graph. It shows the number of stars each group has.



A picture graph is also called a pictogram.

The title tells us what the picture graph shows.

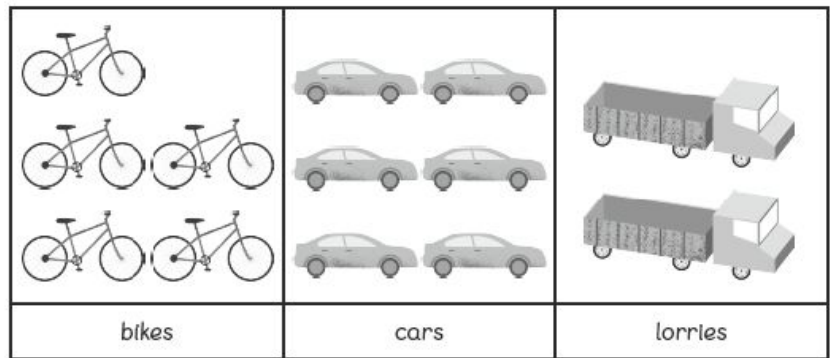


Class 1H's Reward Chart

Group	Stars	Number of stars
A	★ ★ ★ ★ ★ ★ ★ ★	8
B	★ ★ ★	3
C	★ ★ ★ ★ ★ ★ ★ ★	8
D	★ ★ ★ ★ ★ ★ ★ ★ ★	9

Group D has the most number of stars.  
Group B has the least number of stars.  
Group A has as many stars as Group C.

Vehicles in a Car Park



# Worksheet 1

## Reading Picture Graphs

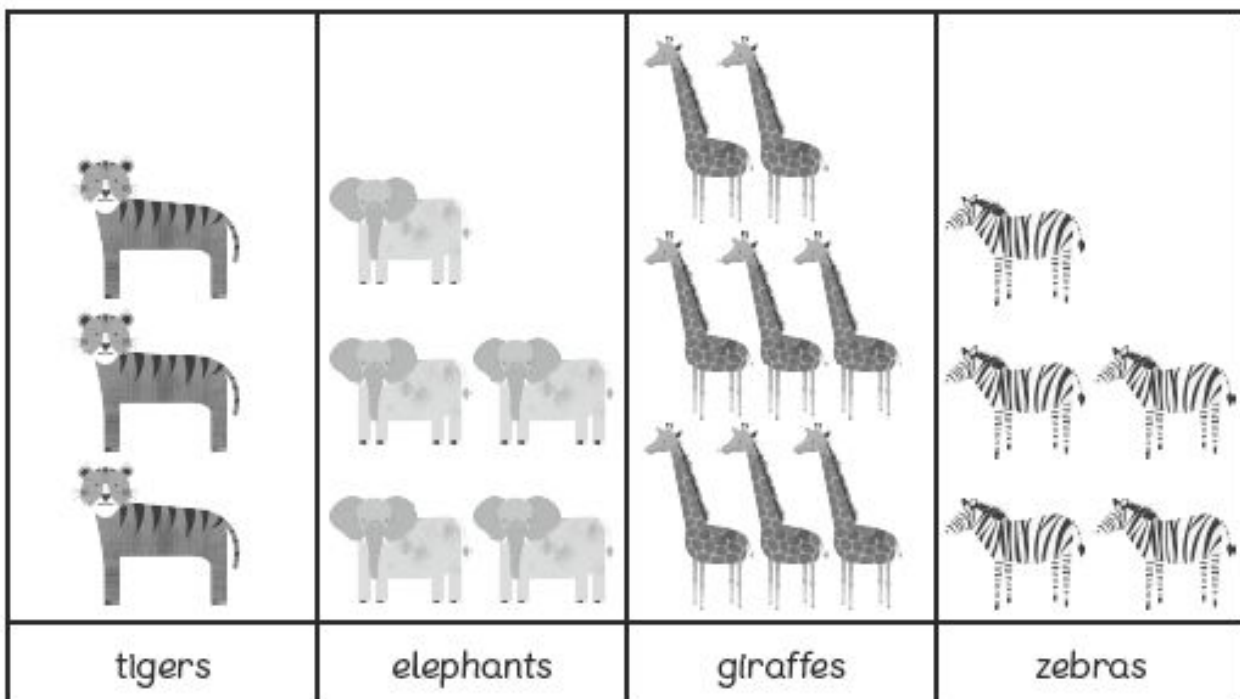
- 1 The pictogram shows the number of vehicles in a car park. Look at the pictogram and fill in the blanks.

**Remember:** The first thing you should do is to count the pictures.

- There are \_\_\_\_\_ bikes, \_\_\_\_\_ cars and \_\_\_\_\_ lorries in the car park.
- The number of \_\_\_\_\_ is the greatest.
- The number of \_\_\_\_\_ is the smallest.

- 2 The pictogram shows the number of animals in a zoo. Look at the pictogram and fill in the blanks.




Animals in a Zoo



- a) There are \_\_\_\_\_ tigers, \_\_\_\_\_ elephants, \_\_\_\_\_ giraffes, and \_\_\_\_\_ zebras in the zoo.
- b) The number of \_\_\_\_\_ is the greatest.
- c) The number of \_\_\_\_\_ is the smallest.
- d) There are \_\_\_\_\_ more giraffes than elephants.
- e) The number of elephants is the same as the number of \_\_\_\_\_.

**3** The pictogram shows the different pieces of stationery Hannah has. Look at the pictogram and fill in the blanks.

### Hannah's Stationery

pencils	
rubbers	
rulers	

- a) Hannah has \_\_\_\_\_ pencils, \_\_\_\_\_ rubbers, and \_\_\_\_\_ rulers.
- b) Hannah has the greatest number of \_\_\_\_\_.
- c) Hannah has the smallest number of \_\_\_\_\_.
- d) Hannah has \_\_\_\_\_ fewer rubbers than pencils.
- e) Hannah has \_\_\_\_\_ more pencils than rulers.
- f) Hannah has \_\_\_\_\_ pieces of stationery altogether.







Think - what does the word "altogether" means?

What do you need to do to find the answer?

4

The pictogram shows the number of fruits in a basket.  
Look at the pictogram and fill in the blanks.





### Fruits in a Basket

apples	
oranges	
pears	
strawberries	
kiwis	
bananas	

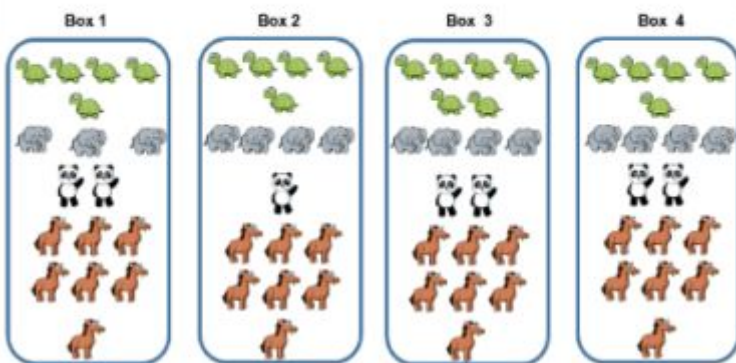
- There are \_\_\_\_\_ fruits altogether.
- The number of \_\_\_\_\_ is the greatest.
- The number of \_\_\_\_\_ is the smallest.
- There are \_\_\_\_\_ more strawberries than oranges.
- There are \_\_\_\_\_ fewer kiwis than bananas.
- There are as many \_\_\_\_\_ as \_\_\_\_\_.

## Challenge:

Dexter makes a tally chart of the animals he saw at the zoo

Animal	Tally
	
	
	
	

Tick one box below that shows all of the animals Dexter saw and explain why the others are incorrect.



Which box matches Dexter's tally chart?

Explain why the others are incorrect.